

Broadband & ADSL Connectivity

The highspeed solution to access and share the internet



Broadband Internet access at home and/or in the office (via ADSL or cable modem) is set to change the needs of PC and network users. SMC Networks is focused on providing the optimum solutions for users to access and share the internet - either through easy-to-install routers that connect to ADSL or cable modems or ADSL modems with USB, bridging and/or routing capabilities. We have used our networking expertise to integrate wireless technologies and to offer greater security.

The award-winning SMC Barricade Broadband router family is the ideal all-in-one networking solution for home and small business users allowing the connection of multiple users to the Internet using a single WAN/IP address. These multi-functional broadband routers are variously combined with dual-speed switched ports, Internet firewalls, print servers and 11Mbps Wireless connectivity.

SMC also offers a range of ADSL modems for varying applications. Our ADSL modems support a number of connectivity formats including external USB modems, Internal PCI bus modems and external ADSL to bridge /routers. SMC ADSL products are designed and manufactured for compatibility with all major DSLAM vendors and are available for resale by ISP's and Telco's as well as through normal retail reseller channels. SMC's range of Broadband and ADSL products come with a limited lifetime warranty, defined as 5 Years from date of purchase and registration.

Broadband & ADSL Connectivity

Barricade Broadband Router

SMC7008BR
SMC7004ABR
SMC7004AWBR
SMC7208SBR
SMC7301TA

ADSL Connectivity

SMC7003PCI
SMC7003USB

ADSL Bridge Router

SMC7401BRA-ADSL

Barricade Broadband Router

SMC7008BR

Features

- All-in-one solution: integrates Switching, IP Sharing, Firewall security and printserver
- NAT-Firewall keeps the internal LAN hidden, only the one IP address of the WAN port is visible
- Simultaneous Internet access for up to 253 PCs on the LAN using only one IP address
- DHCP server: LAN and IP address assigned automatically and easily managed
- Flexible: connect to a cable modem, xDSL modem, dial-up modem or Ethernet backbone
- Print server access from any PC in the LAN
- Additional memory available - no need to keep one PC powered-up and dedicated

Ports

- 7-port 10BASE-T/100BASE-TX Ethernet/Fast Ethernet switch (RJ-45) connects to your LAN
- 1 x 10Mbps port for WAN connection (RJ-45). The WAN port connects to external xDSL or cable modem
- 1 x RS-232 port (DB-9) connects to dial-up external ISDN-/56K modem
- 1 x parallel port (DB-25) for printserver (unidirectional, LPR protocol)



SMC7008BR



Standards

- IEEE802.3, IEEE802.3u
- TCP/IP, RIP1, RIP2, PPTP (VPN), IPSec (Pass Through)
- PPPoE
- PPTP VPN Client for DSL

Firmware

- Works with all major Networking Operating Systems that support TCP/IP and Ethernet (e.g. Windows, MacOS, Linux, Novell Netware, etc.)
- Protocol independent - works with PC or Mac
- Configuration through web-browser

Size (L x W x H)

- 30.0 x 14.3 x 4.0 cm

Product	Model No.	Description
Barricade Broadband Router	SMC7008BR	Broadband Router with integrated 7-port 10/100 switch, print server, firewall, 10Mbps WAN Port

Barricade Broadband Router

SMC7004ABR

Features

- All-in-one solution: integrates Switching, IP Sharing, Firewall security and printserver
- NAT-Firewall keeps the internal LAN hidden, only the one IP address of the WAN port is visible
- VPN tunneling
- Simultaneous Internet access for up to 253 PCs on the LAN using only one IP address
- DHCP server: LAN and IP address assigned automatically and easily managed
- Flexible: connect to a cable modem, xDSL modem, dial-up modem or Ethernet backbone
- Print server access from any PC in the LAN
- All ports on switch feature auto-MDIX
- Reset switch
- Additional memory available - no need to keep one PC powered-up and dedicated

Ports

- 4-port auto-MDIX 10BASE-T/100BASE-TX Ethernet/Fast Ethernet switch (RJ-45) connects to your LAN
- 1 x 10/100Mbps port for WAN connection (RJ-45). The WAN port connects to external xDSL or cable modem



All Awards for SMC7004ABR

SMC7004ABR



- 1 x RS-232 port (DB-9) connects to dial-up external ISDN-/56K modem
- 1 x parallel port (DB-25) for printserver (unidirectional, LPR protocol)

Standards

- IEEE802.3, IEEE802.3u
- TCP/IP, RIP1, RIP2, PPTP (VPN), IPSec (Pass Through), L2TP
- PPPoE
- PPTP VPN Client for DSL

Firmware

- Works with all major Networking Operating Systems that support TCP/IP and Ethernet (e.g. Windows, MacOS, Linux, Novell Netware, etc.)
- Protocol independent - works with PC or Mac
- Configuration through web-browser

Size (L x W x H)

- 19.0 x 12.0 x 3.5 cm

Product	Model No.	Description
Barricade Broadband Router	SMC7004ABR	Broadband Router with integrated 4-port 10/100 switch, print server, firewall, 10/100Mbps WAN Port

Wireless Broadband Router with integrated Print Server and 11Mbps Wireless Access Point

Barricade Wireless Broadband Router SMC7004AWBR

Features

- All-in-one solution: integrates Switching, IP Sharing, Firewall security, Wireless Access Point and print server
- NAT-Firewall keeps the internal LAN hidden, only the one IP address of the WAN port is visible
- Simultaneous Internet access for up to 253 PCs on the LAN using only one IP address
- DHCP server: LAN and IP address assigned automatically and easily managed
- Flexible: connect to a cable modem, xDSL modem, dial-up modem
- Print server access from any PC in the LAN
- Additional memory available - no need to keep one PC powered-up and dedicated

Ports

- 3-port 10BASE-T/100BASE-TX Ethernet/Fast Ethernet switch (RJ-45) connects to your LAN
- 1 x 10Mbps port for WAN connection (RJ-45). The WAN port connects to external xDSL or cable modem
- 1 x RS-232 port (DB-9) connects to dial-up external ISDN-/56K modem
- 1 x parallel port (DB-25) for printserver (unidirectional, LPR protocol)



SMC7004AWBR



11Mbps Wireless Access Point

- Frequency Range: 2.4000 - 2.4835 GHz
- DSSS (Direct Sequence Spread Spectrum) provides immunity through interference
- 64-/128-bit WEP data encryption and access control (MAC Address Filtering)

Standards

- IEEE802.3, 802.3u, 802.11b (11Mbps Wireless Ethernet)
- TCP/IP, RIP1, RIP2, PPTP (VPN), IPSec (Pass Through)
- PPPoE
- PPTP VPN Client for DSL

Firmware

- Works with all major Networking Operating Systems that support TCP/IP and Ethernet (e.g. Windows, MacOS, Linux, Novell Netware, etc.)
- Protocol independent - works with PC or Mac
- Configuration through web-browser

Size (L x W x H)

- 25.6 x 11.1 x 2.5 cm

Product	Model No.	Description
Barricade Wireless Broadband Router	SMC7004AWBR	Wireless Broadband Router with integrated 3-port 10/100Mbps dual-speed switch (RJ-45), 1 x 11Mbps Wireless Access point, 1 x 10BASE-T WAN port, 1 x DB-9 port for PSTN/ISDN connection, 1 x DB-25 printer port

Broadband Router with integrated Storage Server

Barricade Storage Router & Server SMC7208SBR

Features

- All-in-one solution: integrates Switching, IP Sharing, Firewall security, printserver and network storage
- NAT-Firewall keeps the internal LAN hidden, only the one IP address of the WAN port is visible
- Simultaneous Internet access for up to 253 PCs on the LAN using only one IP address
- DHCP server: LAN and IP address assigned automatically and easily managed
- Flexible: connect to a cable modem, xDSL router, dial-up modem
- Print-server access from any PC in the LAN
- Additional memory available - no need to keep one PC powered-up and dedicated
- Content Filtering - administrator defines which websites users within the LAN are allowed to visit

Ports

- 7-port 10BASE-T/100BASE-TX Ethernet/Fast Ethernet switch (RJ-45) connects to your LAN
- 1 x daisy-chain port for uplink
- 1 x 10Mbps port for WAN connection (RJ-45). The WAN port connects to external xDSL or cable modem
- 1 x RS-232 port (DB-9) connects to dial-up external ISDN-/56K modem



SMC7008SBR

- 1 x parallel port (DB-25) for printserver (unidirectional, LPR protocol)
- Built-in 20GB hard disk drive

Standards

- IEEE802.3, IEEE802.3u
- TCP/IP, RIP1, RIP2, PPTP (VPN), IPSec (Pass Through)
- PPPoE

Firmware

- Works with all major Networking Operating Systems that support TCP/IP and Ethernet (e.g. Windows, MacOS, Linux, Novell Netware, etc.)
- Protocol independent - works with PC or Mac
- Configuration through web-browser

Size (L x W x H)

- 27.1 x 21.6 x 7.2 cm



Product	Model No.	Description
Barricade Storage Router & Server	SMC7208SBR	Storage Server with 7-port 10/100Mbps switch, 1 x 10BASE-T WAN port, 1 x DB-9 port for PSTN/ISDN connection, 1 x DB-25 printer port

Broadband Router with integrated ISDN Modem

ISDN Barricade Broadband Router

SMC7301TA

Features

- All-in-one solution: IP Sharing, Firewall security, LAN-port and ISDN modem
- NAT-Firewall keeps the internal LAN hidden, only the one IP address of the WAN port is visible
- DHCP server: LAN and IP address assigned automatically and easily managed
- Connects two locally separated LANs through ISDN
- Remote dial-in and call-back (ISDN)

Ports

- 1-port 10BASE-T/100BASE-TX Ethernet/Fast Ethernet port (RJ-45) connects to your LAN
- 1 x 10Mbps port for WAN connection (RJ-45). The WAN port connects to external xDSL or cable modem
- 1 x RS-232 port (DB-9) console port
- Integrated ISDN modem connects directly to ISDN (connection through SO)

Standards

- IEEE802.3, IEEE802.3u
- TCP/IP, RIP1, RIP2, IPSec (Pass Through)
- PPP, Multi-Link PPP
- PPPoE, PPTP Client (DSL)



SMC7301TA

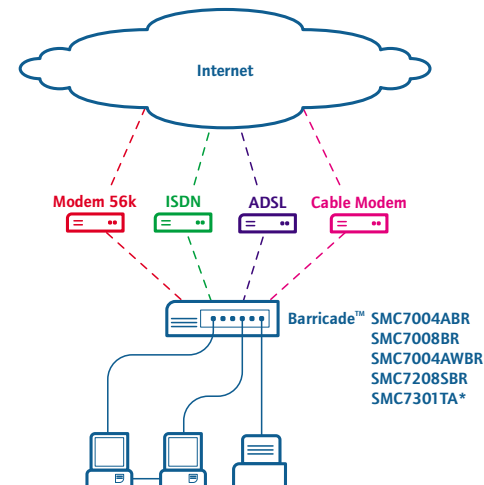
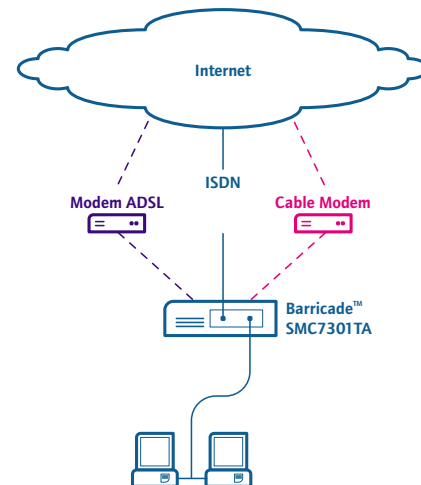
Product	Model No.	Description
ISDN Barricade	SMC7301TA	ISDN Router with 10Mbps WAN broadband router port, 10/100Mbps LAN port

Firmware

- Works with all major Networking Operating Systems that support TCP/IP and Ethernet (e.g. Windows, MacOS, Linux, Novell Netware, etc.)
- Protocol independent - works with PC or Mac
- Configuration through web-browser or via RS-232 port

Size (L x W x H)

18.0 x 11.0 x 3.0 cm



All Barricade Broadband Routers can be connected to the internet via either: 56K modem*, ISDN, ADSL or cable modem.

*SMC7301TA cannot connect to a 56K modem

ADSL PCI Modem

EZ Connect ADSL PCI Modem SMC7003PCI

Features

- Full ADSL standard support
- Supports Full-rate G.dmt connection (with 8Mbps downstream and 640Kbps upstream) and economical G.lite connection (with 1.5Mbps downstream and 512Kbps upstream)

Interface

- RJ-11 port for connection to ADSL service provider
- RJ-11 port for connection to standard telephone (POTs)

Drivers

- Windows 95,98,ME, 2000, XP, NT4, Linux Compliant

Compatibility

- Interoperable with systems from most major DSLAM equipment makers
- Supports PPPoA, PPPoE Standards
- Compatible with T1.413 standard and Cisco/Alcatel T1.413 - like DSLAMs
- Annex A compliant

Transport Protocols

- IP/ATM (RFC 1577), PPPoA (RFC 2364), PPPoE (RFC 2516), PPP (RFC 1661), Multiprotocol encapsulation, Bridged Ethernet/ATM, Routed IP/ATM (RFC 1483)

SMC7003 PCI Modem



Product	Model No.	Description
EZ Connect ADSL PCI Modem	SMC7003-PCI	ADSL PCI Modem

ADSL USB Modem

EZ Connect ADSL USB Modem SMC7003USB

Features

- Full ADSL Standard support
- High-performance Internet connection for the SOHO environment
- Plug-and-play for easy installation and self-configuration
- Dual-mode operation: supports G.dmt or G.lite connections
- Instant Network Access

Interface

- USB B-type connector for PC
- RJ-11 Port for standard phone wire connection to ADSL service provider

Drivers

- Windows 95,98,ME, 2000, XP, MAC OS

Compatibility

- Interoperable with systems from most major DSLAM equipment makers

Standards

- PC: Microsoft PC99, WHQL
- ADSL: Full Rate ADSL: ANSI T1.413,ITU G.992.1 (G.dmt)
- G.992.2 (G.lite), G.994.1 (G.hs), Annex A compliant

Transport Protocols

- IP/ATM (RFC 1577), PPPoA (RFC 2364), PPPoE (RFC 2516), PPP (RFC 1661)
- multiprotocol encapsulation, Bridged
- Ethernet/ATM, Routed IP/ATM (RFC 1483)

SMC7003USB



Product	Model No.	Description
EZ Connect ADSL USB Modem	SMC7003USB EU	ADSL USB Modem

ADSL Bridge Router

ADSL Bridge Router SMC7401BRA-ADSL



Features

- Functions as a Bridge and/or Router
- Ethernet and USB ports provide greater flexibility for simultaneous sharing of the ADSL and local resources
- Firewall security for network
- Remote management and firmware upgrade
- Virtual Private Networks (VPN) with PPTP and L2TP clients
- Supports Full-rate G.dmt connection (with 8Mbps downstream and 640Kbps upstream) and economical G.lite connection (with 1.5Mbps downstream and 512Kbps upstream)

Connector

- 1 x 10BASE-T Ethernet port (RJ-45)
- 1 x USB port
- 1 x ADSL port (RJ-11)

ADSL features

- Compatible with all leading DSLAMs
- Annex A compliant
- Supports DMT line modulation
- Supports Full-Rate ADSL: up to 8Mbps downstream, up to 1Mbps upstream G.992.1 & T1.413, Issue2)
- Supports G.Lite ADSL: up to 1.5Mbps downstream, up to 512Kbps upstream (G.992.2)
- Supports DSL handshaking (G.994.1)

ATM Features

- RFC1483 Encapsulation (IP,Bridging & Encapsulated Routing)
- PPP over ATM (LLC & VC multiplexing)(RFC2364)
- Classical IP (RFC1577)
- Supports up to 8 PVCs

SMC7401BRA-ADSL



Product	Model No.	Description
ADSL Bridge Router	SMC7401BRA-ADSL	ADSL Dual port bridge Router